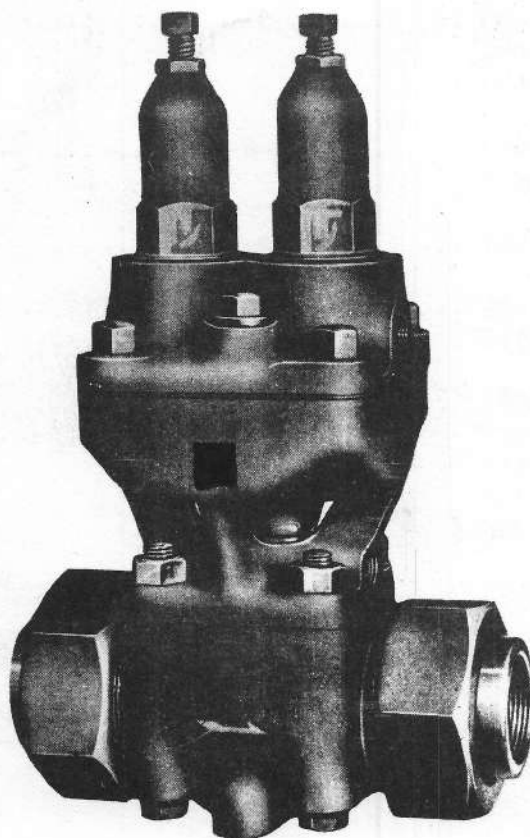


# STEAM COMPRESSOR GOVERNORS

PARTS CATALOG NO. 3205-1

SPRING 1987

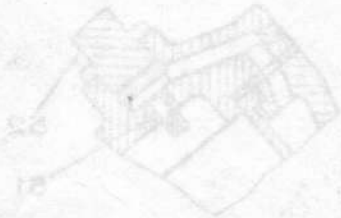
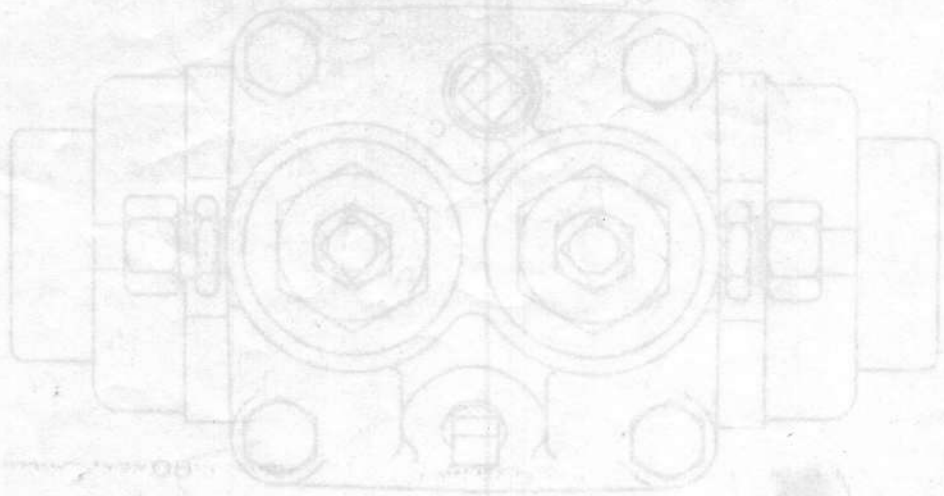


**Crown Metal Products Co.**

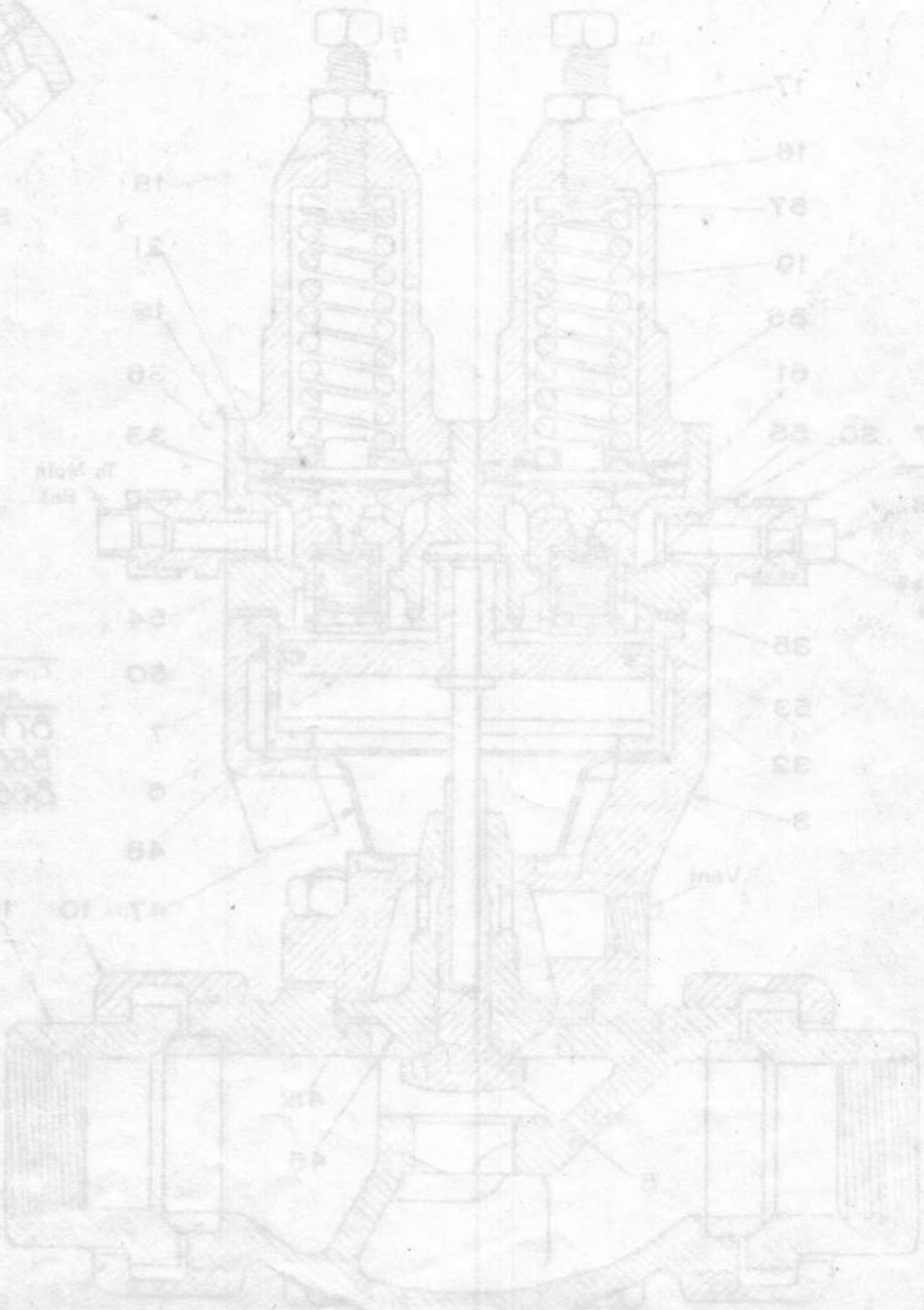
P.O. Box 418, 1597 Scenery Drive  
Elizabeth, PA 15037  
Phone (412) 384-6781

STEAM COMPRESSOR GOVERNORS  
PIECE NUMBER INDEX

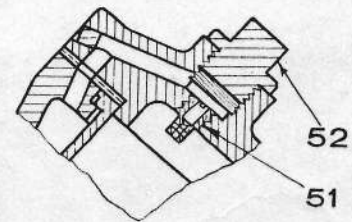
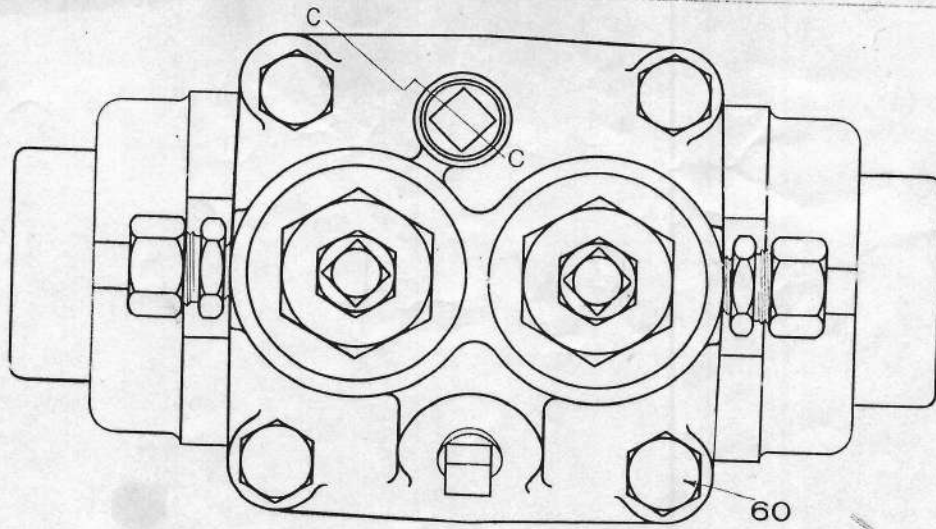
Pc.No.	Type	Page
92996.....	A-4-A .....	3
502733		3
511339		3
513092		3
94098 .....	A-5-A .....	3
516994		3
519650		3
509653 .....	A-6-A .....	3
520742		3
92997 .....	AD-4-A .....	6
92999 .....	AD-5-A .....	6
524517		6
92993 .....	AD-6-A .....	6
508987		6
512159		6
515338		6
515396		6
524495 .....	AH .....	10
520841 .....	AD-H .....	10



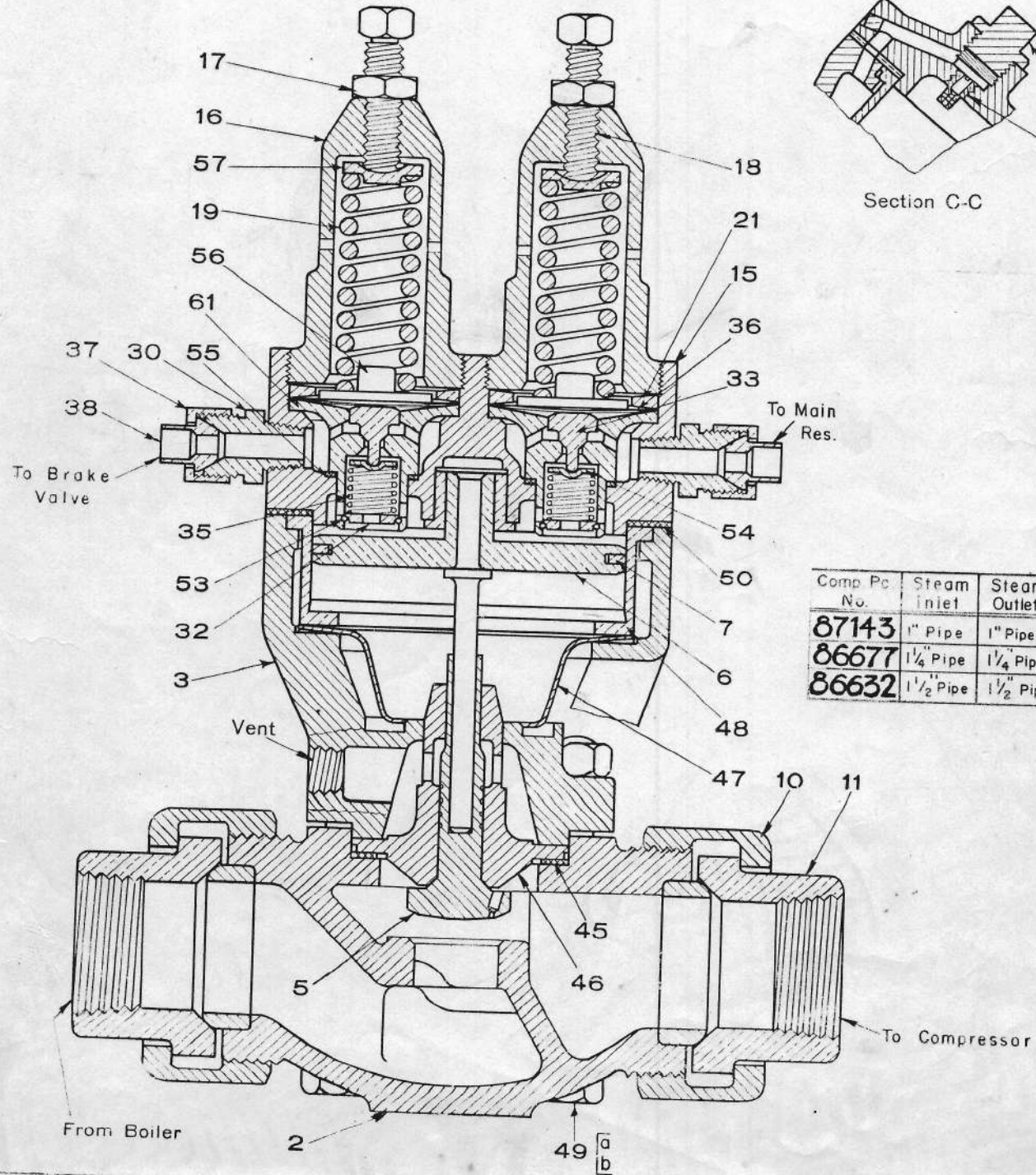
Section C-C



1	Steel	1/2"	1/2"
2	Steel	1/2"	1/2"
3	Steel	1/2"	1/2"
4	Steel	1/2"	1/2"
5	Steel	1/2"	1/2"
6	Steel	1/2"	1/2"
7	Steel	1/2"	1/2"
8	Steel	1/2"	1/2"
9	Steel	1/2"	1/2"
10	Steel	1/2"	1/2"
11	Steel	1/2"	1/2"
12	Steel	1/2"	1/2"
13	Steel	1/2"	1/2"
14	Steel	1/2"	1/2"
15	Steel	1/2"	1/2"
16	Steel	1/2"	1/2"
17	Steel	1/2"	1/2"
18	Steel	1/2"	1/2"
19	Steel	1/2"	1/2"
20	Steel	1/2"	1/2"
21	Steel	1/2"	1/2"
22	Steel	1/2"	1/2"
23	Steel	1/2"	1/2"
24	Steel	1/2"	1/2"
25	Steel	1/2"	1/2"
26	Steel	1/2"	1/2"
27	Steel	1/2"	1/2"
28	Steel	1/2"	1/2"
29	Steel	1/2"	1/2"
30	Steel	1/2"	1/2"
31	Steel	1/2"	1/2"
32	Steel	1/2"	1/2"
33	Steel	1/2"	1/2"
34	Steel	1/2"	1/2"
35	Steel	1/2"	1/2"
36	Steel	1/2"	1/2"
37	Steel	1/2"	1/2"
38	Steel	1/2"	1/2"
39	Steel	1/2"	1/2"
40	Steel	1/2"	1/2"
41	Steel	1/2"	1/2"
42	Steel	1/2"	1/2"
43	Steel	1/2"	1/2"
44	Steel	1/2"	1/2"
45	Steel	1/2"	1/2"
46	Steel	1/2"	1/2"
47	Steel	1/2"	1/2"
48	Steel	1/2"	1/2"
49	Steel	1/2"	1/2"
50	Steel	1/2"	1/2"
51	Steel	1/2"	1/2"
52	Steel	1/2"	1/2"
53	Steel	1/2"	1/2"
54	Steel	1/2"	1/2"
55	Steel	1/2"	1/2"



Section C-C



Comp Pc No.	Steam Inlet	Steam Outlet
87143	1" Pipe	1" Pipe
86677	1 1/4" Pipe	1 1/4" Pipe
86632	1 1/2" Pipe	1 1/2" Pipe

From Boiler

To Compressor

49 a b



STEAM COMPRESSOR GOVERNORS  
"A-4-A", "A-5-A" AND "A-6-A" TYPES

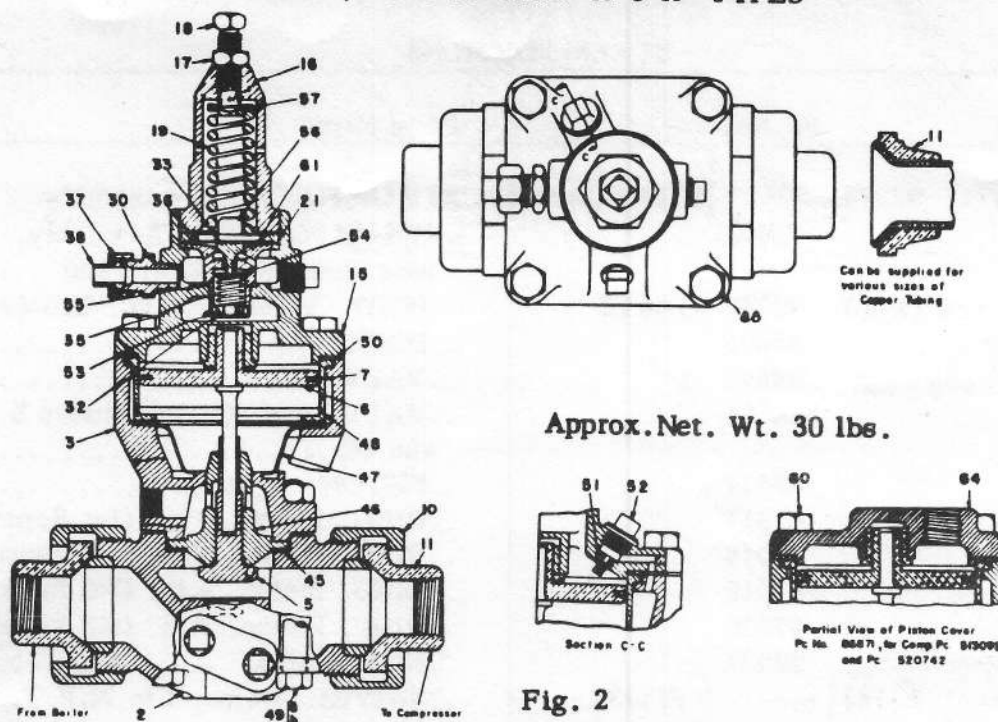


Fig. 2

TYPE	GOVERNOR		PORTION				
	Pc. Nos.		Steam			Diaphragm	
	Complete	Less Connections	Complete	Less Connections	Pipe	Complete	Tube Size
A-4-A	92996	92995	92994	92990	1 in. I.P.	91097	3/8 in. O.D.
A-4-A	502733	502800	92994	92990	1 in. I.P.	502801	3/8 in. O.D.
A-4-A	511339	92995	511428	92990	1 & 1/4 I.P.	511429	3/8 in. O.D.
A-4-A	513092	513095	92994	92990	1 in. I.P.	†86871	1/2 in. N.P.T.
A-5-A	94098	92995	92998	92990	1-1/4 in. I.P.	91097	3/8 in. O.D.
A-5-A	519650 ††	92995	519652 ††	92990	1-1/4 in. I.P.	519653 ††	3/8 in. O.D.
A-5-A	516994	513095	92998	92990	1-1/4 in. I.P.	†86871	1/2 in. N.P.T.
A-6-A	509563	92995	92991	92990	1-1/2 in. I.P.	91097	3/8 in. O.D.
A-6-A	520742	513095	92991	92990	1-1/2 in. I.P.	†86871	1/2 in. N.P.T.

† NOTE: Piston Cover

†† NOTE: Includes union STUD with wing check, Pc. 512149

Prices will be quoted upon application  
Orders should give PIECE NUMBER and NAME of part wanted

STEAM COMPRESSOR GOVERNORS  
"A-4-A", A-5-A AND A-6-A TYPES

STEAM PORTIONS

Ref. & Fig. No.	Pc. No.				Parts Name	No. Req'd.	
	92991	92994	92998 92990	511428	519652	STEAM PORTION, Assembly	
						.STEAM PORTION, Assembly, less union Swivels and Nut . . . .	1
2-2	92972	-300LB	92989	-500 LB		..BODY, Valve (incl. Pc. 507040)	1
2-3			86606			..BODY, Piston	1
2-5	86608	-1 1/2"	88896	-1"		..VALVE	1
			518355			..VALVE and BUSH (includes 5 and 46)	1
2-6			86612			..PISTON	1
2-7a			87017			..RING, Piston, 4 in. (1st Repair)	1
2-7b			87018			..RING, Piston, 4 in. (2nd Repair)	1
2-7c			87019			..RING, Piston, 4 in. (3rd Repair)	1
2-7d			87020			..RING, Piston, 4 in. (4th Repair)	1
2-10			92927			..NUT, Union	2
2-11	-----	87143	-----	: 87143	-----	..SWIVEL, Union, 1 in. N.P.T.	1
2-11	-----	-----	-----	: 300286	-----	..SWIVEL, Union, 1-1/4 N.P.T. (7/16 in. Choke)	1
2-11	-----	-----	86677	-----	86677	..SWIVEL, Union, 1-1/4 in. N.P. T.	2
2-11	86632	-----	-----	-----	-----	..SWIVEL, Union, 1-1/2 in. N.P. T.	2
2-45			86605			..GASKET, Body	1
2-46			86607			..BUSH, Valve	1
2-47			86609			..PLATE, Baffle	1
2-48			86611			..BUSH, Piston	1
2-49a			25429			..BOLT, Hex. Hd., 1/2 x 4-1/2 in	4
2-49b			2505			..NUT, Hex, 1/2 in.	4
			507040			..PLUG, Pipe, 3/8 in.	2

:NOTE: Requires 1 only

DIAPHRAGM PORTIONS

Fig. & Ref. No.	Pc. No.				Parts Name	No. Req'd.
	91097	502801	511429	519653	DIAPHRAGM PORTION, Assembly	
	88789	-----	88789		..BODY, Complete	1
2-15	88104	501214	88104	88104	..BODY, Diaphragm	1
2-16		86623			..BOX, Spring (Pressure Head)	1
2-17		86626			..NUT, Lock, 1/2 in.	1
2-18		86625			..SCREW, Regulating	1
2-19		2036			..SPRING, Regulating	1
2-21		1064			..RING, Diaphragm	1
	x 87213	x 87213	-----	-----	..STUD, Union, (3/4 in. Thrd.)	1

§NOTE: Includes Ref. 15, 51, 52 and Pc. 33711.

xNOTE: Includes Ref. 30, 37 and 38.

STEAM COMPRESSOR GOVERNORS  
 "A-4-A, A-5-A and A-6 A" TYPES  
 (continued)

No. Req'd.	Piece Number	Parts Name	Ref. & Fig.No.
	300821	.STUD, Union, (3/8 in. O.D. Tube) Compression Type .....	1
2-30	x87214	.STUD, 3/8 in. ....	1
2-32	86678	.SEAT, Spring .....	1
2-33	86620	.VALVE, Diaphragm .....	1
2-35	86621	.SPRING, Valve .....	1
2-36	1063	.DIAPHRAGM .....	2
2-37	x79927	.NUT, Union .....	1
2-38	x81214	.SLEEVE, Union .....	1
2-50	+ 86614	.GASKET, Piston Body .....	1
2-51	96190	.PLUG, Choke, 1/8 in. (3/64 in. Dr.)..	1
2-52	92912	.NUT, Cap .....	1
2-53	86738	.RETAINER, Ring .....	1
2-54	86622	.SEAT, Spring .....	1
2-55	86747	.SEAL, Valve .....	1
2-56	80999	.SEAT, Spring .....	1
2-57	86624	.PLATE, Bearing .....	1
2-60	+ 20805	.SCREW, Cap, 1/2 x 1-5/8 in. ....	4
2-61	86619	.SEAT, Valve .....	1
2-64	86871	.COVER, Piston (See Schedule Page 5)	1
	33711	.PLUG, Pipe, 3/8 in. ....	2
		512151 .UNION, Copper Pipe (P. R. R. Type) ..	1
		512152 .STUD .....	1
		88272 ..NUT .....	1
		88273 ..SWIVEL .....	1

+NOTE: Not a part of the portion, but of the complete device.  
 x NOTE: Part of Pc. 87213.

86604 COUPLING RING  
 86671 PISTON GUIDE BUSHING

Prices will be quoted upon application  
 Orders should give PIECE NUMBER and NAME of part wanted



STEAM COMPRESSOR GOVERNORS

"AD" TYPE

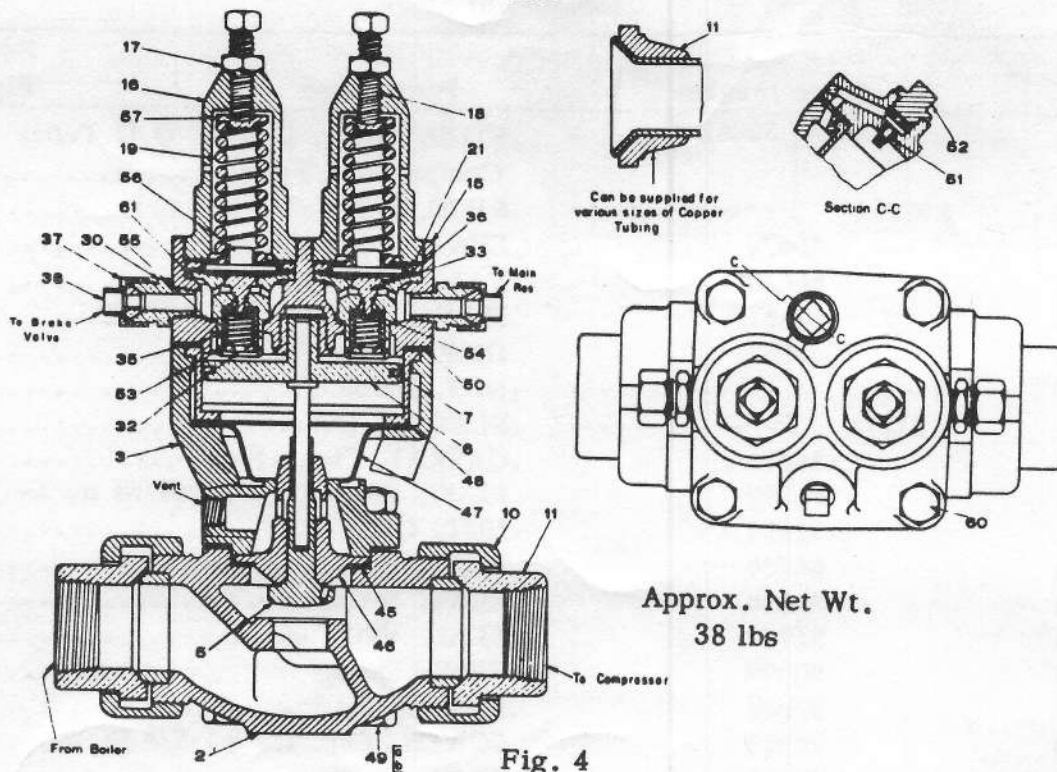


Fig. 4

Governor			Portions				
Type	Pc. No.		Complete	STEAM		DIAPHRAGM	
	Complete	less connections		less connections	Pipe	Complete	Tube Size
AD-4-A	92997	92992	92994	92990	1 in. I.P.	87212	3/8 in. O.D.
AD-5-A	92999	92992	92998	92990	1-1/4 in. I.P.	87212	3/8 in. O.D.
AD-5-A	524517	92992	92998	92990	1-1/4 in. N.P.T.	524518	1/4 in. I.P.
AD-6-A	92993	92992	92991	92990	1-1/2 in. I.P.	87212	3/8 in. O.D.
AD-6-A	508987	92992	511180	92990	1-1/2 in. N.P.T.	511181	3/8 in. O.D.
AD-6-A	512159	92992	512210	92990	1-1/2 in. N.P.T.	512211	3/8 in. O.D.
AD-6-A	515338	92992	92991	92990	1-1/2 in. N.P.T.	87121	3/8 in. O.D.
AD-6-A	515396	515397	92991	92990	1-1/2 in. N.P.T.	88888	3/8 in. O.D.

Prices will be quoted upon application  
 Orders should give PIECE NUMBER and NAME of part wanted



STEAM COMPRESSOR GOVERNORS

"AD" TYPE

STEAM PORTION

Fig. & Ref.No.	Pc.No.		Parts Name		No. Req'd.	
	92991	92994	92998	511180	512210	STEAM PORTION, Assembly ..... 1
			92990			..STEAM PORTION, Assembly, less union swivel and nut ..... 1
4-2	92972-30068		92989	-50068		..BODY, Valve (includes Pc. 507040) 1
4-3			86606			..BODY, Piston ..... 1
4-5	86608 - 1/2"		88896	- 1"		..VALVE ..... 1
			518355			..VALVE and BUSH (Includes 5 and 46) ..... 1
4-6			86612			..PISTON ..... 1
4-7a			87017			..RING, Piston, 4 in. (1st Repair).. 1
4-7b			87018			..RING, Piston, 4 in. (2nd Repair).. 1
4-7c			87019			..RING, Piston, 4 in. (3rd Repair).. 1
4-7d			87020			..RING, Piston, 4 in. (4th Repair).. 1
4-10			92927			..NUT, Union ..... 2
4-11	-----	87143	-----	-----	-----	..SWIVEL, Union, 1 in. I.P. .... 2
4-11	-----	-----	86677	-----	-----	..SWIVEL, Union, 1-1/4 in. I.P. .. 2
4-11	86632	-----	-----	86632	86632	..SWIVEL, Union, 1-1/2 in. I.P. .. 2
4-45			86605			..GASKET, Body ..... 1
4-46			86607			..BUSH, Valve ..... 1
4-47			86609			..PLATE, Baffle . .... 1
4-48			86611			..BUSH, Piston ..... 1
4-49a			25429			..BOLT, Hex, Hd., 1/2 x 4-1/2 in.. 4
4-49b			2505			..NUT, Hex, 1/2 in. .... 4
4-50			x86614			..GASKET, Body ..... 1
			507040			..PLUG, Pipe (in. Body Pc. 92989).. 2
	-----	-----	-----	513489	-----	UNION Elbow with Wing Check..... 1
	-----	-----	-----	-----	512149	UNION Stud with Wing Check..... 1

86604 COMPLINE RING  
86671 PISTON GUIDE BUSHING

†† NOTE: Union with Wing Check, Pc. 513489  
† NOTE: Union with Wing Check, Pc. 512149  
xNOTE: Not a part of the portion but of the complete device.

Prices will be quoted upon application  
Orders should give PIECE NUMBER and NAME of part wanted

STEAM COMPRESSOR GOVERNORS  
"AD" TYPE

DIAPHRAGM PORTIONS

Ref. & Fig. No.	Pc.No.				Parts Name	No. Req'd.		
	87212	87121	88888	511181	512211	524518	DIAPHRAGM PORTION, Assembly	
	86616	86616	88889	86616	86616	86616	DIAPHRAGM PORTION, less connections	
	88788	88788	505304	88788	88788	88788	.BODY, Complete †	1
4-15	86617	86617	86857	86617	86617	86617	.BODY, Diaphragm	1
4-16			86623				.BOX, Spring	2
4-17			86626				.NUT, Jam	2
4-18			86625				.SCREW, Set	2
4-19			2036				.SPRING, Regulating	2
4-21			1064				.RING, Diaphragm	2
	87213	-----	-----	-----	-----	-----	.THREADED UNION STUD † (Brazed Type) 3/8 in. tube	2
	-----	84157	84157	84157	-----	-----	.COMPRESSION UNION, † 3/8 in. O. D. Tube	2
	-----	-----	-----	513489	-----	-----	.UNION ELBOW with WING CHECK (See Page 3)	1
	-----	-----	-----	-----	512149	-----	.UNION STUD with WING CHECK (See Page 3)	1
	-----	-----	-----	-----	512151	-----	.P. R. R. PIPE UNION	2
	-----	-----	-----	-----	-----	524521	.THREADED UNION STUD † and SWIVEL (3/8 in.)	2
4-30	87214	-----	-----	80677	512152	524522	.STUD, Union	2
4-32			86678				.SEAT, Spring	2
4-33			86620				.VALVE	2
4-35			86621				.SPRING, Diaphragm	2
4-36			1063				.DIAPHRAGM	4
4-37	79927	-----	-----	71728	88272	27297	.NUT, Union	2
4-38	81214	-----	-----	71727	88273	27296	.SWIVEL, Union	2
4-51			96190				.PLUG, Choke, 1/8 in. 3/64 in. Dr.)	1
4-52			92912				.NUT, Cap	1
4-53			86738				.RING, Retainer	2
4-54			86622				.RETAINER, Spring	2
4-55			86747				.SEAL, Diaphragm	2
4-56			80999				.SEAT, Spring	2
4-57			86624				.PLATE, Bearing	2
4-60			x 20805				.SCREW, Cap, H.Hd., 1/2 x 1-5/8 in.	4
4-61			86619				.SEAT, Valve	2

Prices will be quoted upon application  
Orders should give PIECE NUMBER and NAME of part wanted

STEAM COMPRESSOR GOVERNORS  
 "AD" TYPE  
 DIAPHRAGM PORTIONS

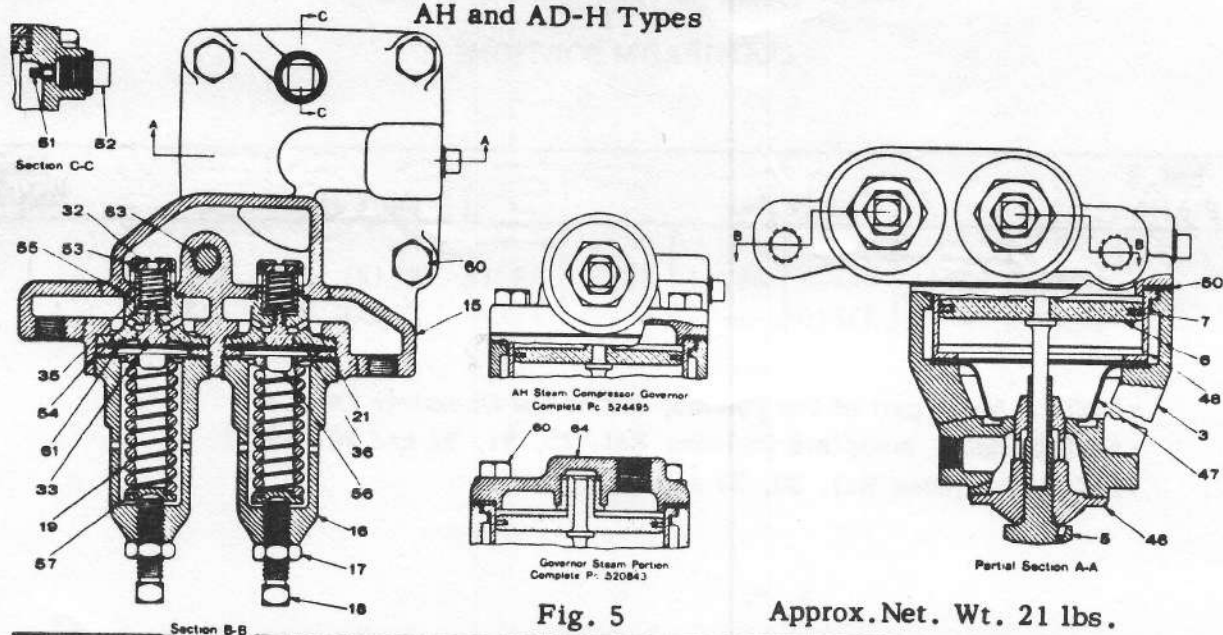
Ref. & Fig.No.	Pc.No.					Parts Name	No. Req'd.
33711	33711	-----	33711	33711	33711	PLUG, Pipe, 3/8 in.....	1
-----	-----	33310	-----	-----	-----	PLUG, Pipe, 1/2 in.....	1

- xNOTE: Not a part of the Portion, but of the Complete Device
- ‡ NOTE: Body, complete includes Ref. 15, 51, 52 and Pc. 33711.
- ‡ NOTE: Includes Ref. 30, 37 and 38.

Prices will be quoted upon application  
 Orders should give PIECE NUMBER and NAME of part wanted



STEAM COMPRESSOR GOVERNORS  
AH and AD-H Types



Approx. Net. Wt. 21 lbs.

GOVERNOR		PORTION	
TYPE	Pc.No. less Connections	DIAPHRAGM	PISTON
AH	524495	524496	520842
AD-H	520841	520754	520842

PISTON BODY PORTION

Fig. & Ref.No.	Pc.No.	Parts Name	No. Req'd.
	520843	PISTON BODY WITH BODY COVER (includes Pc. 502842, Ref. 50, 60 and 64)	
5-	520842	PISTON BODY PORTION, Assembly Less Body Cover .....	1
5-3	86606	.BODY .....	1
5-5	88896	.VALVE, Steam .....	1
5-6	86612	.PISTON .....	1
5-7a	87017	.RING, Piston, 4 in. (1st Repair) .....	1
5-7b	87018	.RING, Piston, 4 in. (2nd Repair) .....	1
5-7c	87019	.RING, Piston, 4 in. (3rd Repair) .....	1
5-7d	87020	.RING, Piston, 4 in. (4th Repair) .....	1
5-46	86607	.BUSH, Valve .....	1
5-47	86609	.PLATE, Baffle .....	1
5-48	86611	.BUSH, Piston .....	1
5-50	† 86614	.GASKET, Body .....	1
5-60	† 20805	.SCREW, Cap, Hex, 1/2 x 1-5/8 in. ....	3
5-63	† 3211	.SCREW, Cap, Hex, 1/2 x 3 in. ....	1
5-64	86871	.COVER, Piston .....	1

† NOTE: Not a part of the Portion, but of the complete device.

Prices will be quoted upon application  
Orders should give PIECE NUMBER and NAME of part wanted

STEAM COMPRESSOR GOVERNORS  
AH and AD-H Types

DIAPHRAGM PORTIONS

Fig. & Ref. No.	Pc. No.	Parts Name	No. Req'd.
	524496   520754	DIAPHRAGM PORTION, Assembly	
5-15	524499   520756	.BODY .....	1
5-16	† 86623 ††	.BOX, Spring	
5-17	† 86626 ††	.NUT, Lock	
5-18	† 86625 ††	.SCREW, Set	
5-19	† 2036 ††	.SPRING, Regulating	
5-21	† 1064 ††	.RING, Diaphragm	
5-32	† 86678 ††	.SEAT, Spring	
5-33	† 86620 ††	.VALVE, Diaphragm	
5-35	† *86621 ††	.SPRING	
5-36	†† 1063 †	.DIAPHRAGM	
5-51	96190	.PLUG, Choke, 1/8 in. (3/64 in. Dr.).	1
5-52	92912	.NUT, Cap .....	1
5-53	† 86738 ††	.RING, Retainer	
5-54	† 86622 ††	.RETAINER	
5-55	† 86747 ††	.SEAL, Diaphragm	
5-56	† 80999 ††	.SEAT, Spring	
5-57	† 86624 ††	.PLATE, Bearing	
5-61	† 86619 ††	.SEAT, Valve	
	† 84157 ††	.COMPRESSION UNION STUD, 3/8 in.	
	33711	.PLUG, Pipe, 3/8 in. ....	1

- † NOTE: Requires one.
- †† NOTE: Requires two.
- ††† NOTE: Requires four

SHIPPING COMBINATIONS

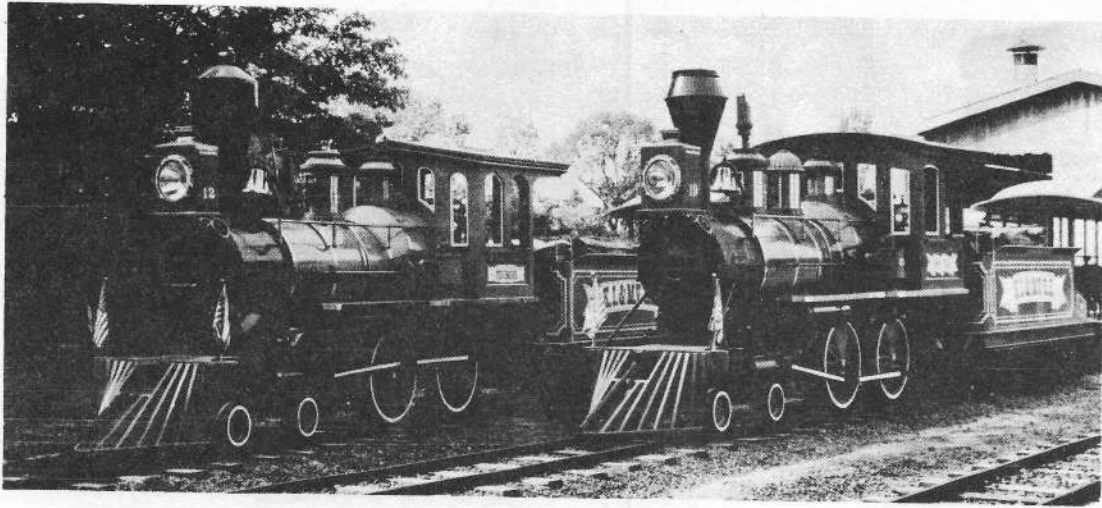
Comp. Pc. No.	Governor	Ship. Cover	Gasket
527643	(AD-H) 520841	X527641	86605
527644	(AH) 524495	X527641	86605

Comp. Pc. No.	Piston Portion	Ship Cover	Gasket
527645	520843	X527641	86605

XNOTE: Shipping Cover Pc. 527641 includes (4) Studs Pc. 15073, and (4) Nuts Pc. 2502.

Prices will be quoted upon application  
Orders should give PIECE NUMBER and NAME of part wanted

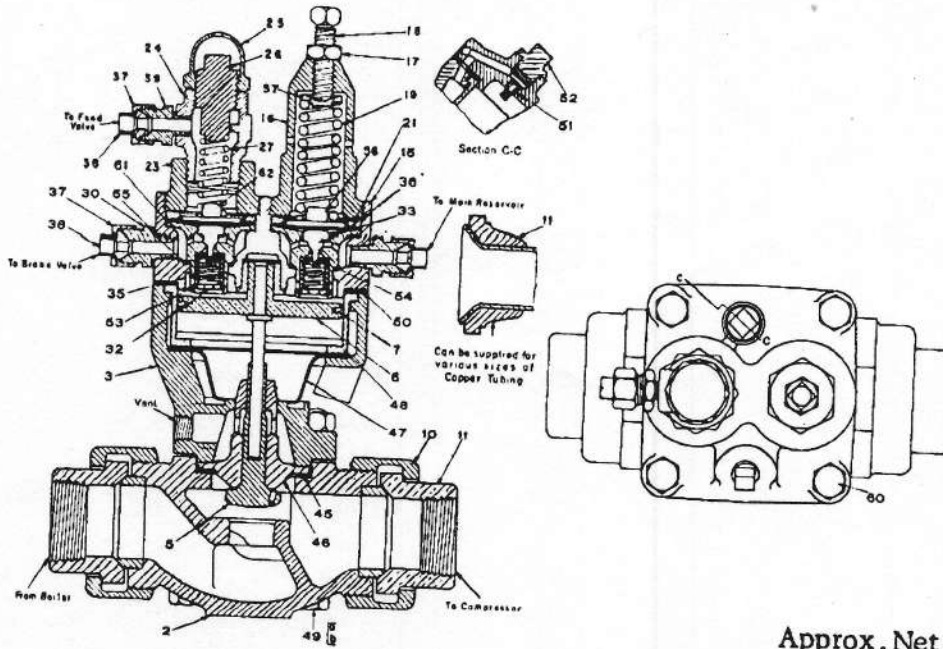


Steam locomotives built by CROWN METAL PRODUCTS.





## STEAM COMPRESSOR GOVERNORS AF-A TYPE



Approx. Net Weight  
37 lbs.

Fig. 6

Governor		Portions				
Type	Pc. No.	STEAM			DIAPHRAGM	
		Complete	Less Conn.	Pipe	Complete	Tube
AF-4-A	514372	92994	92990	1 in. I.P.	87172	3/8 in. O.D.
AF-5-A	514374	92998	92990	1-1/4 in. I.P.	87172	3/8 in. O.D.
AF-6-A	514375	92991	92990	1-1/2 in. I.P.	87172	3/8 in. O.D.

Prices will be quoted upon application  
Orders should give **PIECE NUMBER** and **NAME** of part wanted







STEAM COMPRESSOR GOVERNORS  
AF-A TYPES

STEAM PORTION

Fig. & Ref. No.	Pc. No.	Parts Name	No. Req'd.
	92991   92994   92998	STEAM PORTION, Assembly	
	92990	STEAM PORTION, Assembly, less Swivels	
6-2	92972-300L6   92989-500L6	.BODY, Steam (includes Pc. 507040) ..	1
6-3	86606	.BODY, Piston .....	1
	518355	STEAM and VALVE Bush (includes Ref. 5 and 46) .....	1
6-5	86608-1/2"   88896-1"	.VALVE, Steam .....	1
6-6	86612	.PISTON .....	1
6-7a	87017	.RING, Piston, 4 in. (1st Repair) .....	1
6-7b	87018	.RING, Piston, 4 in. (2nd Repair) ...	1
6-7c	87019	.RING, Piston, 4 in. (3rd Repair) ....	1
6-7d	87020	.RING, Piston, 4 in. (4th Repair) ....	1
6-10	92927	.NUT, Union .....	2
6-11	-----   87143   -----	.UNION SWIVEL, 1 in. I.P. ....	2
6-11	-----   -----   86677	.UNION SWIVEL, 1-1/4 in. I.P. ....	2
6-11	86632   -----   -----	.UNION SWIVEL, 1-1/2 in. I.P. ....	2
6-45	86605	.GASKET, Body .....	1
6-46	86607	.BUSH, Valve .....	1
6-47	86609	.PLATE, Baffle .....	1
6-48	86611	.BUSH, Piston .....	1
6-49a	25429	.BOLT, H. Hd, Mach, 1/2 x 4-1/2 in. .	4
6-49b	2505	.NUT, Hex, 1/2 in. ....	4
6-50	X 86614	GASKET, Body .....	1
	X 507040	PLUG, Pipe, 3/8 in. (part of Pc. 92989)	2

DIAPHRAGM PORTION

Fig. & Ref. No.	Pc. No.	Parts Name	No. Req'd.
	87172	DIAPHRAGM PORTION, Assembly	
	88788	BODY COMPLETE †	
6-15	86617	.BODY .....	1
6-16	86623	.BOX, Spring, Max. ....	1
6-17	86626	.NUT, Jam .....	1
6-18	86625	.SCREW, Set, Max. ....	1
6-19	*2036	.SPRING, Regulating .....	1
6-21	1064	.RING, Diaphragm .....	2
6-23	86858	.BOX, Spring, Excess .....	1
6-24	13456	.BOX, Extension .....	1
6-25	13459	.NUT, Check .....	1
6-26	13458	.NUT, Regulating .....	1
6-27	42875	.HEAD, Pressure, Excess .....	1

\*NOTE: For Spring Identification Tables, See page 7.

XNOTE: Not a part of the portion, but of the complete device.

†NOTE: Includes Ref. 15, 51, 52 and Pc. 33711.

DIAPHRAGM PORTION

Fig. & Ref.No.	Parts Name	Req'd.
	84157 .COMPRESSION UNION STUD, 3/8 in. (includes 30, 37 and 38) .....	2
6-30	80677 .STUD, Union .....	2
6-32	86678 .SEAT, Spring .....	2
6-33	86620 .VALVE, Diaphragm .....	2
6-35	*86621 .SPRING, Valve .....	2
6-36	1063 .DIAPHRAGM .....	4
	71713 .COMPRESSION UNION STUD, 1/4 in. (3/8 in. O.D. Tube, Incl. 37, 38 and 39) .....	3
6-37	71728 ..NUT, Union .....	3
6-38	71727 ..SLEEVE, Union .....	3
6-39	71730 ..STUD, Union .....	3
6-51	96190 .PLUG, Choke, 1/8 in. (3/64 in. Dr.) .....	1
6-52	92912 .NUT, Cap .....	1
6-53	86738 .RING, Retainer .....	2
6-54	86622 .RETAINER, (Bearing Plate) .....	2
6-55	86747 .SEAL, Valve .....	2
6-56	80999 .SEAT, Spring, (Max.) .....	1
6-57	86624 .PLATE, Bearing .....	1
6-60	X 20805 .SCREW, Cap, H.Hd., 1/2 x 1-5/8 in. ....	4
6-61	86619 .SEAT, Valve .....	2
6-62	86691 .SEAT, Spring. (Excess) .....	1
	33711 .PLUG, Pipe, 3/8 in. ....	1

\*NOTE: For Spring Identification Table, See page 7.

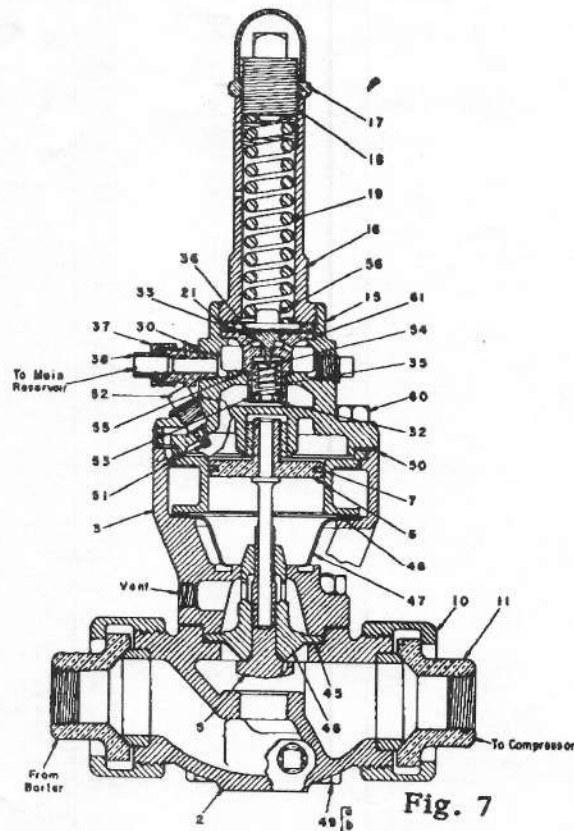
X NOTE: Not a part of the Portion, but of the Complete Device.







STEAM COMPRESSOR GOVERNORS  
AJ-4-A TYPE



Approx. Net Wt.  
33 lbs.

GOVERNOR			PORTION	
Type	Complete	Less Connections	STEAM Complete	DIAPHRAGM Complete
AJ-4-A	545007	545149	545147	545148

STEAM PORTION			
Fig. & Ref.No.	Pc.No.	Parts Name	No. Req'd.
	545147	STEAM PORTION, Assembly	
7-2	92989	.BODY, Steam, Incl. Pc. 507040	1
7-3	86606	.BODY, Piston	1
	518355	.STEAM and VALVE BUSH (includes 5 and 46)	
7-5	88896	.VALVE, Steam	1
7-6	544881	.PISTON	1
7-7a	81225	.RING, Piston, 2-5/8 in. (1st Repair)	1
7-7b	39223	.RING, Piston, 2-5/8 in. (2nd Repair)	1
7-7c	43971	.RING, Piston, 2-5/8 in. (3rd Repair)	1
7-10	92927	.NUT, Union	2
7-11	87143	.SWIVEL, Union, 1/ in.	2
7-45	86605	.GASKET, Body	1
7-46	86607	.BUSH, Valve	1
7-47	86609	.PLATE, Baffle	1

Prices will be quoted upon application  
Orders should give PIECE NUMBER and NAME of part wanted

STEAM COMPRESSOR GOVERNORS  
AJ-4-A TYPE

Ref. & Fig.No.	Pc.No.	Parts Name	No. Req'd.
7-48	544879	.BUSH, Piston .....	1
7-49a	25429	.BOLT, H. Hd, 1/2 x 4-1/2 in. ....	4
7-49b	2505	.NUT, Hex, 1/2 in. ....	4
	507040	.PLUG, Pipe .....	2

DIAPHRAGM PORTION

Fig. & Ref.No.	Pc.No.	Parts Name	No. Req'd.
	545148	DIAPHRAGM PORTION, Assembly	
7-15	88104	.BODY .....	1
7-16	544878	.BOX, Spring .....	1
7-17	2034	.NUT, Check .....	1
7-18	2035	.NUT, Regulating .....	1
7-19	*19481	.SPRING .....	1
7-21	1064	.RING, Diaphragm .....	1
	87213	.THREADED UNION STUD, 3/8 in. (includes 30, 37, and 38) .....	1
7-30	87214	..STUD, Union, 3/8 in. ....	1
7-32	86678	.SEAT, Spring .....	1
7-33	86620	.VALVE, Diaphragm .....	1
7-35	*512322	.SPRING .....	1
7-36	1063	.DIAPHRAGM .....	2
7-37	79927	.NUT, Union, 3/8 in. ....	1
7-38	81214	.SWIVEL, Union .....	1
7-50	x 86614	.GASKET, Body .....	1
7-51	522497	.PLUG, Choke, 1/8 in. ....	1
7-52	92912	.NUT, Cap .....	2
7-53	86738	.RING, Retainer .....	1
7-54	86622	.RETAINER, Spring .....	1
7-55	86747	.SEAL, Valve .....	1
7-56	80999	.SEAT, Spring .....	1
7-60	x 20805	.SCREW, Cap, Hex, Hd., 1/2 x 1-5/8 in. ....	4
7-61	86619	.SEAT, Valve .....	1
	33711	.PLUG, Pipe, 3/8 in. ....	2

\*NOTE: For Spring Identification Table, See Page 7.  
xNOTE: Not a part of the portion, but of the complete device.







**STEAM COMPRESSOR GOVERNORS  
"S" TYPE**

Ref. & Fig. No.	Pc.No.	Parts Name	No. Req'd.
	24973	"S-3" TYPE STEAM COMPRESSOR GOVERNOR, Assembly (3/8 in. O.D. Copper Tube Connection)	
1-	2468	..STEAM PORTION, Assembly .....	1
1-2	2469	..BODY, Steam .....	1
1-3	2476	..BODY, Cylinder .....	1
1-4	2471	..CAP, Cylinder .....	1
1-5	2479	..VALVE, Steam .....	1
1-6	†2473	..PISTON, 1-3/4 in. ....	1
1-7	† 2474	..RING, Piston, 1-3/4 in. ....	1
1-8	519171	..NUT, Retaining.....	2
1-9	2027	..SPRING, Piston .....	1
1-10	2477	..NUT, Union, 3/4 in.....	1
1-11	2478	..SWIVEL, Union, 3/4 in. ....	1
1-12	523988	..GASKET, Union .....	1
1-	20782	..DIAPHRAGM PORTION, Assembly ..	1
1-15	9033	..BODY, Diaphragm (includes 1-29)..	1
1-16	2033	..BOX, Spring .....	1
1-17	2034	..NUT, Lock, Cap.....	1
1-18	2035	..NUT, Regulating .....	1
1-19	* 2036	..SPRING, Regulating .....	1
	x 2043	..DIAPHRAGM, Assembly .....	1
1-20	2037	...SPINDLE .....	1
1-21	1064	.. RING, Diaphragm .....	1
1-29	2046	.. STRAINER .....	1
	xx 86767	..UNION with SWIVEL, Compression Type, Assembly (3/8 in. O.D. Copper Tube) .....	1
1-30	86766	...BODY, Swivel .....	1
1-31	15291	...NUT, Union .....	1
1-32	2041	..NUT, Diaphragm .....	1
1-33	2039	..VALVE, Diaphragm .....	1
1-34	2040	..WASHER, 1 in. O.D. ....	1
1-35	* 2042	..SPRING .....	1
1-36	2038	..DIAPHRAGM .....	2
1-37	71728	..NUT, Swivel .....	1
1-38	71727	..THIMBLE, Swivel .....	1

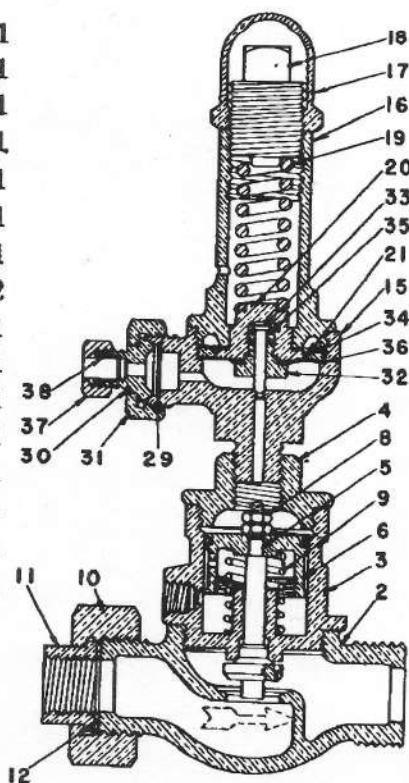


Fig. 1  
Approx. Net. Wt.  
11 lbs.

\*NOTE: For Spring Identification Tables, See page 7.  
 † NOTE: For Repair Pistons and Rings, See page 7.  
 XNOTE: Includes Ref. 20, 32, 33, 34, 35 and 36.  
 XXNOTE: Includes Ref. 30, 37 and 38.

Prices will be quoted upon application  
 Orders should give PIECE NUMBER and NAME of part wanted